

Max. Flow Rate: 2,060 GPH (7,800 LPH)

- Separ 2000 series water separators fuel filters are a simple solution to many different fuel related problems.
- Five separate stages of filtration ensure 99.9% water separation (Certified TUV Report using SAE J1839) at maximum flow.
- Low restriction reduces wear on fuel pumps and ensures full RPMs.
- Backflushable (cleanable) element reduces down time and costly element changes.



Shown: top 2000/130MK-G  
bottom 2000/130UMK-G

### Inlet / Outlet Connections

Single Unit: 2" NPT Pipe  
Duplex Unit: 2" FNPT (other adapters available)  
Inlet and Outlet Pipe connection 2" NPT.

### Ordering Specifications

SWK-2000/130 U MK MS A - G

Duplex \_\_\_\_\_

Metal bowl w/ contacts \_\_\_\_\_

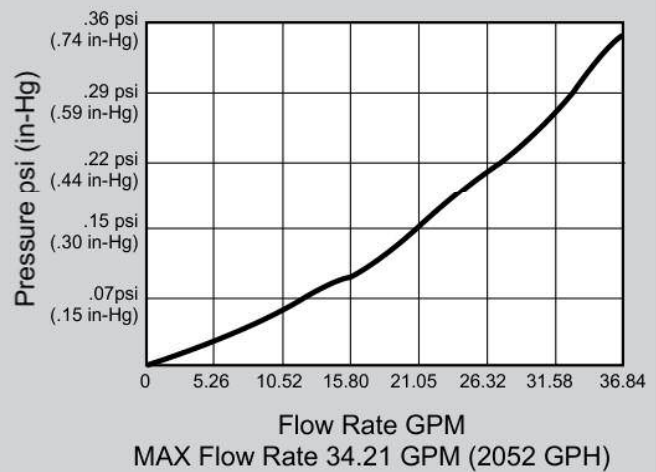
Metal bowl w/ potential-free probe \_\_\_\_\_  
for water level indication

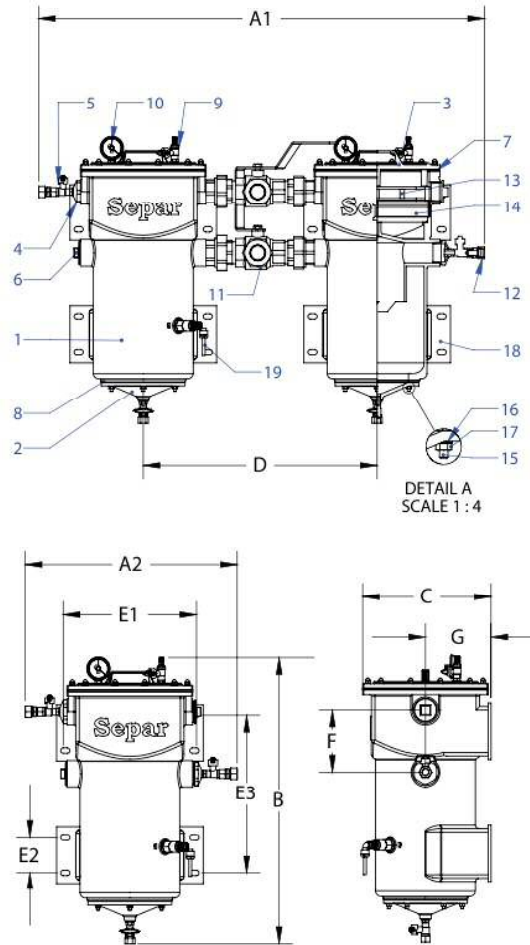
Automatic switchable duplex \_\_\_\_\_  
(See page 18 for details)

Gauge \_\_\_\_\_

We reserve the right to alter the specification without prior notice.

### Pressure Drop





| Item | Part # | Description                 | Dimension       |                    |
|------|--------|-----------------------------|-----------------|--------------------|
| 1    | 10133  | Housing                     | A1              | 47.56" (1208mm)    |
| 2    | 10135  | Bowl                        | A2              | 23.9" (607.4mm)    |
| 3    | 10050  | Lid                         | B               | 32.34" (821.5mm)   |
| 4    | 10058  | 2" BSP Fitting              | C               | 14.49" (368mm)     |
| 5    | 30456  | Drain Valve                 | D               | 26.38" (670mm)     |
| 6    | 10053  | 2" BSP Plug                 | E1              | 15.04" (382mm)     |
| 7    | 30387  | Lid Gasket                  | E2              | 3.94" (100mm)      |
| 8    | 10136  | Bowl Gasket                 | E3              | 17.72"(450mm)      |
| 9    | 30366  | Bleed Valve                 | F               | 6.93" (176mm)      |
| 10   | 30650  | Vacuum Gauge                | G               | 7.4" (188mm)       |
| 11   | 10043  | Reversing Valve Assembly    | <b>Model</b>    |                    |
| 12   | 10062  | Reducing Bushing            |                 |                    |
| 13   | 30298  | Spring Frame                | SWK-2000/130MK  | 105 lbs (47.63 kg) |
| 14   |        | <u>Filter Element</u>       | SWK-2000/130UMK | 250 lbs (113.4 kg) |
|      | 01810  | 10 Micron                   |                 |                    |
|      | 01830  | 30 Micron (Standard)        |                 |                    |
|      | 01860S | 60 Micron (stainless steel) |                 |                    |
| 15   | 10072  | Stud Screw                  |                 |                    |
| 16   | 30021  | Washer                      |                 |                    |
| 17   | 10073  | Cap Nut                     |                 |                    |
| 18   | 10129  | Mounting Bracket            |                 |                    |
| 19   | 30402  | Water Sensor                |                 |                    |