

# SEPAR FILTER

## SWK- 2000/5D

MARINE SERIES  
Max. Flow Rate: 79 GPH -300 LPH



**SWK - 2000/5D**



**SWK - 2000/5UD**

Separ 2000 series water separators fuel filters are a simple solution to many different fuel related problems. Five separate stages of filtration ensure 99.9% water separation at max flow. Low restriction reduces wear on fuel pumps and ensures full RPM's. Back flushable (cleanable) element reduces down time and costly element changes.

### Inlet / Outlet Connections

Single Unit: 3/4-16 Straight o-ring SAE

Duplex Unit: #8 Male JIC Flare (Optional Adapters Available)

### OPTIONS

M = Metal bowl

K = Clear bowl with contacts for water level indication

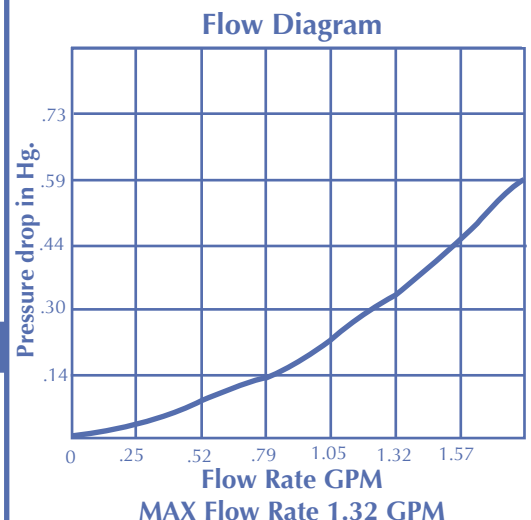
U = Switchable filter

KD = Clear Bowl, heat shield, contacts for water level

MK = Metal bowl with contacts

D = Clear bowl with heat shield (U.S.C.G. and R.I.N.A.. Approved)

G = Gauge



SEPAR of the America's LLC  
201 SW 20th Street,  
Fort Lauderdale, FL 33315

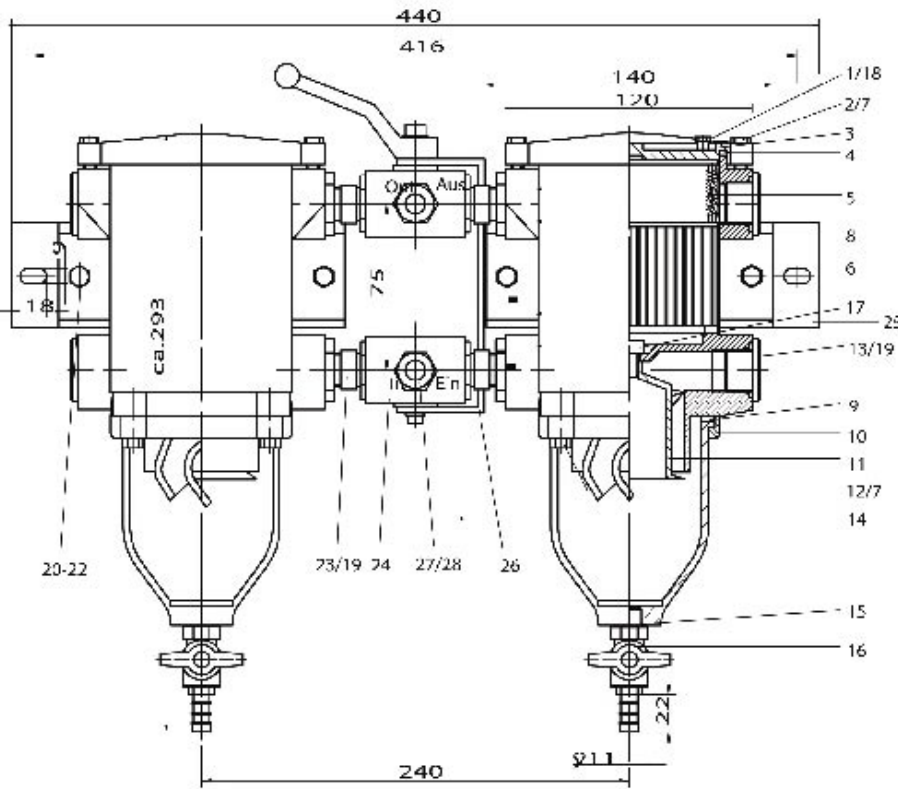
Phone: (954) 523 - 9396  
Fax: (954) 522 - 0456

www.separfilter.com  
info@separfilter.com

0701 7

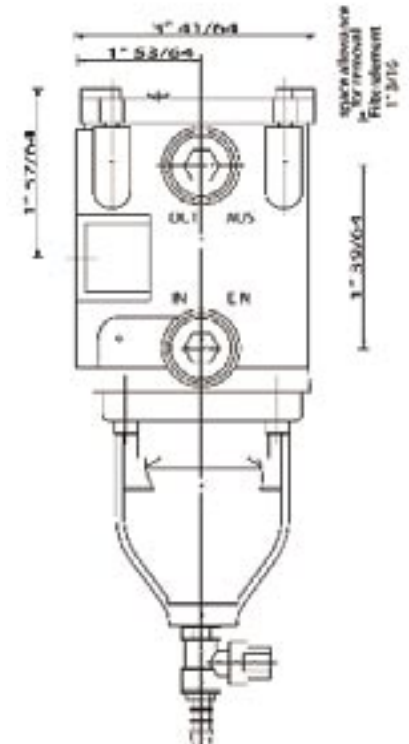
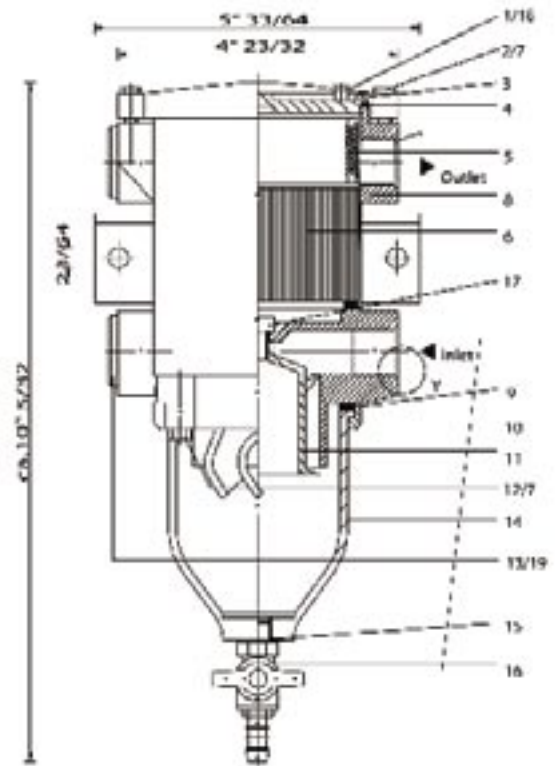
# SEPAR FILTER

## SWK- 2000/5D & 5UD



Inlet + Outlet Pipe Connection 12 mm

We reserve the right to alter the specification without prior notice



| POS | Part #    | Qty | Description        | POS | Part #     | Qty | Description               |
|-----|-----------|-----|--------------------|-----|------------|-----|---------------------------|
| 1   | 30408     | 1   | Bleed Screw        | 16  | 30366      | 1   | Drain Valve               |
| 2   | FAB518220 | 4   | Lid Screw          | 17  | 30560      | 1   | Certrifuge Screw          |
| 3   | 30542     | 1   | Lid                | 18  | 30558      | 1   | Bleed Screw Gasket        |
| 4   | 10367     | 1   | Lid Gasket         | 19  | 6408-08    | 1   | O-Ring for Plug (duplex)  |
| 5   | 30295     | 1   | Spring Frame       | 20  | 30133      | 4   | Mounting Bracket Screw    |
| 6   | 00530     | 1   | Filter Element     | 21  | 30022      | 4   | Mounting Bracket Lock Nut |
| 7   | 30447     | 8   | Washer             | 22  | 30021      | 4   | Mounting Bracket Washer   |
| 8   | 30372     | 1   | Housing            | 23  | 30473      | 4   | Straight Fitting          |
| 9   | 10366     | 1   | Bowl Gasket        | 24  | 30474      | 1   | Reversing Valve           |
| 10  | 30564     | 1   | Retainer Ring      | 25  | 30475      | 1   | Mounting Bracket          |
| 11  | 30548     | 1   | Certrifuge         | 26  | 30490      | 1   | Reversing Lever           |
| 12  | 30561     | 4   | Bowl Screw         | 27  | 30249      | 1   | Union Nut                 |
| 13  | 6408-08   | 2   | Plug (single)      | 28  | 30250      | 1   | Cutting Ring              |
| 14  | 30984     | 1   | Clear Bowl         |     | 30652      | 1   | Gauge                     |
| 15  | 40002     | 1   | Drain Valve O-Ring |     | 9200-08-12 | 1   | #8 Male JIC               |

SEPAR of the America's LLC  
201 SW 20th Street,  
Fort Lauderdale, FL 33315

Phone: (954) 523 - 9396  
Fax: (954) 522 - 0456

www.separfilter.com  
info@separfilter.com

0701 8