

# SEPAR FILTER

## SWK- 2000/5/50D

MARINE SERIES  
Max. Flow Rate: 79 GPH - 300 LPH



SWK - 2000/5/50D



SWK - 2000/5/50UD

Separ 2000 series water separators fuel filters are a simple solution to many different fuel related problems. Five separate stages of filtration ensure 99.9% water separation at max flow. Low restriction reduces wear on fuel pumps and ensures full RPM's. Back flushable (cleanable) element reduces down time and costly element changes.

### Inlet / Outlet Connections

Single Unit: 3/4-16 Straight o-ring SAE

Duplex Unit: #8 Male JIC Flare (Optional Adapters Available)

### OPTIONS

M = Metal bowl

K = Clear bowl with contacts for water level indication

U = Switchable filter

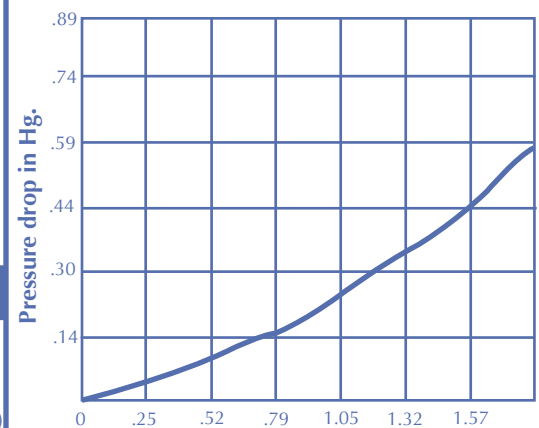
KD = Clear Bowl, heat shield, contacts for water level

MK = Metal bowl with contacts

D = Clear bowl with heat shield (U.S.C.G. and R.I.N.A.. Approved)

G = Gauge

### Flow Diagram



Flow Rate GPM

MAX Flow Rate 1.32 GPM

SEPAR of the America's LLC  
201 SW 20th Street,  
Fort Lauderdale, FL 33315

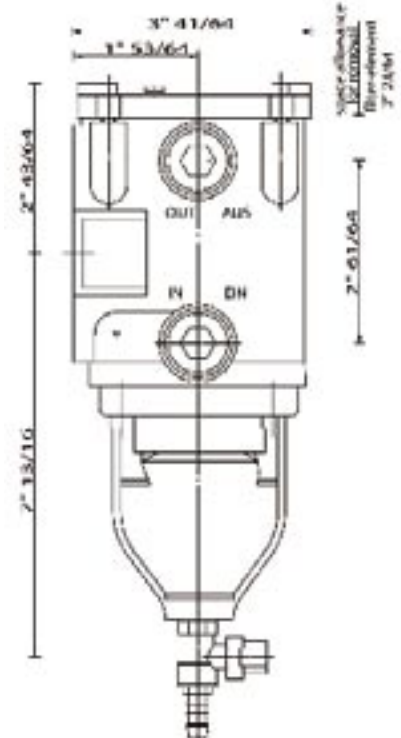
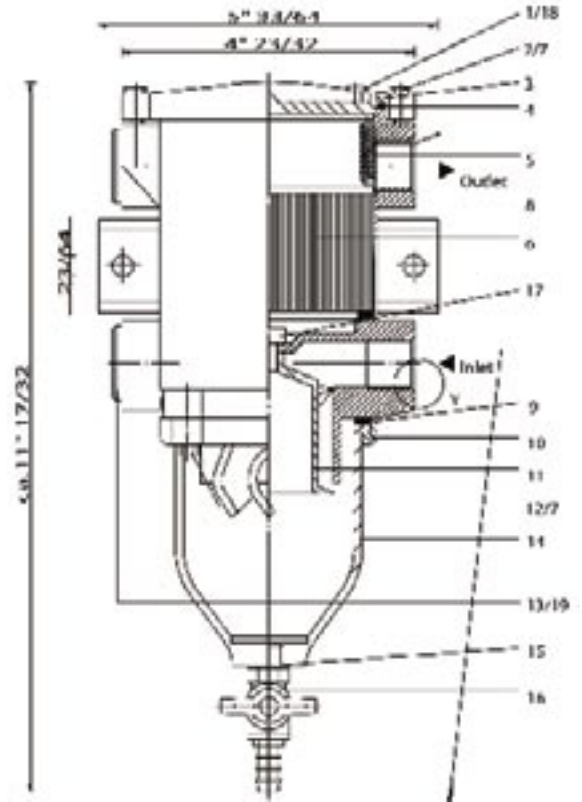
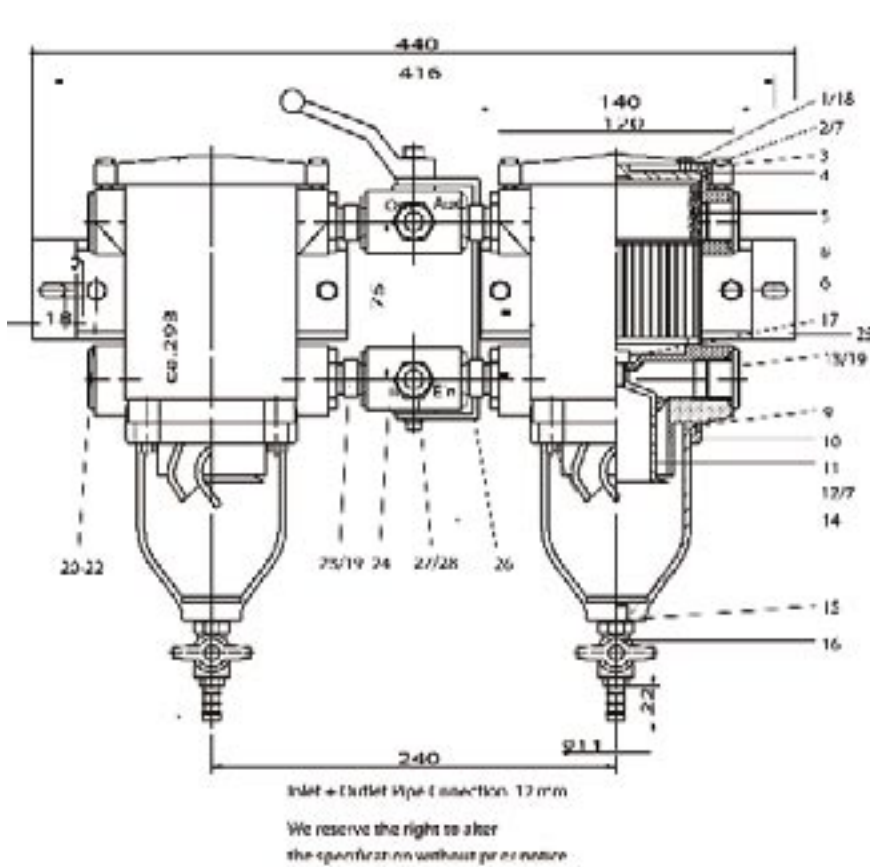
Phone: (954) 523 - 9396  
Fax: (954) 522 - 0456

www.separfilter.com  
info@separfilter.com

0701 9

# SEPAR FILTER

## SWK- 2000/5/50D & 5/50UD



POS	Part #	Qty	Description	POS	Part #	Qty	Description
1	30408	1	Bleed Screw	16	30366	1	Drain Valve
2	FAB51821	4	Lid Screw	17	30560	1	Certrifuge Screw
3	30542	1	Lid	18	30558	1	Bleed Screw Gasket
4	10367	1	Lid Gasket	19	6408-08	1	O-Ring for Plug(duplex)
5	30295	1	Spring Frame	20	30133	4	Mounting Bracket Screw
6	00530/50	1	Filter Element	21	30022	4	Mounting Bracket Lock Nut
7	30447	8	Washer	22	30021	4	Mounting Bracket Washer
8	30380	1	Housing	23	30473	4	Straight Fitting
9	10366	1	Bowl Gasket	24	30474	1	Reversing Valve
10	30564	1	Retainer Ring	25	30475	1	Mounting Bracket
11	30548	1	Certrifuge	26	30490	1	Reversing Lever
12	30561	4	Bowl Screw	27	30249	1	Union Nut
13	6408-08	2	Plug (single)	28	30250	1	Cutting Ring
14	30984	1	Clear Bowl		30652	1	Gauge
15	40002	1	Drain Valve O-Ring		9200-08-12	1	#8 Male JIC

SEPAR of the America's LLC  
201 SW 20th Street,  
Fort Lauderdale, FL 33315

Phone: (954) 523 - 9396  
Fax: (954) 522 - 0456

www.separfilter.com  
info@separfilter.com  
0701 10